

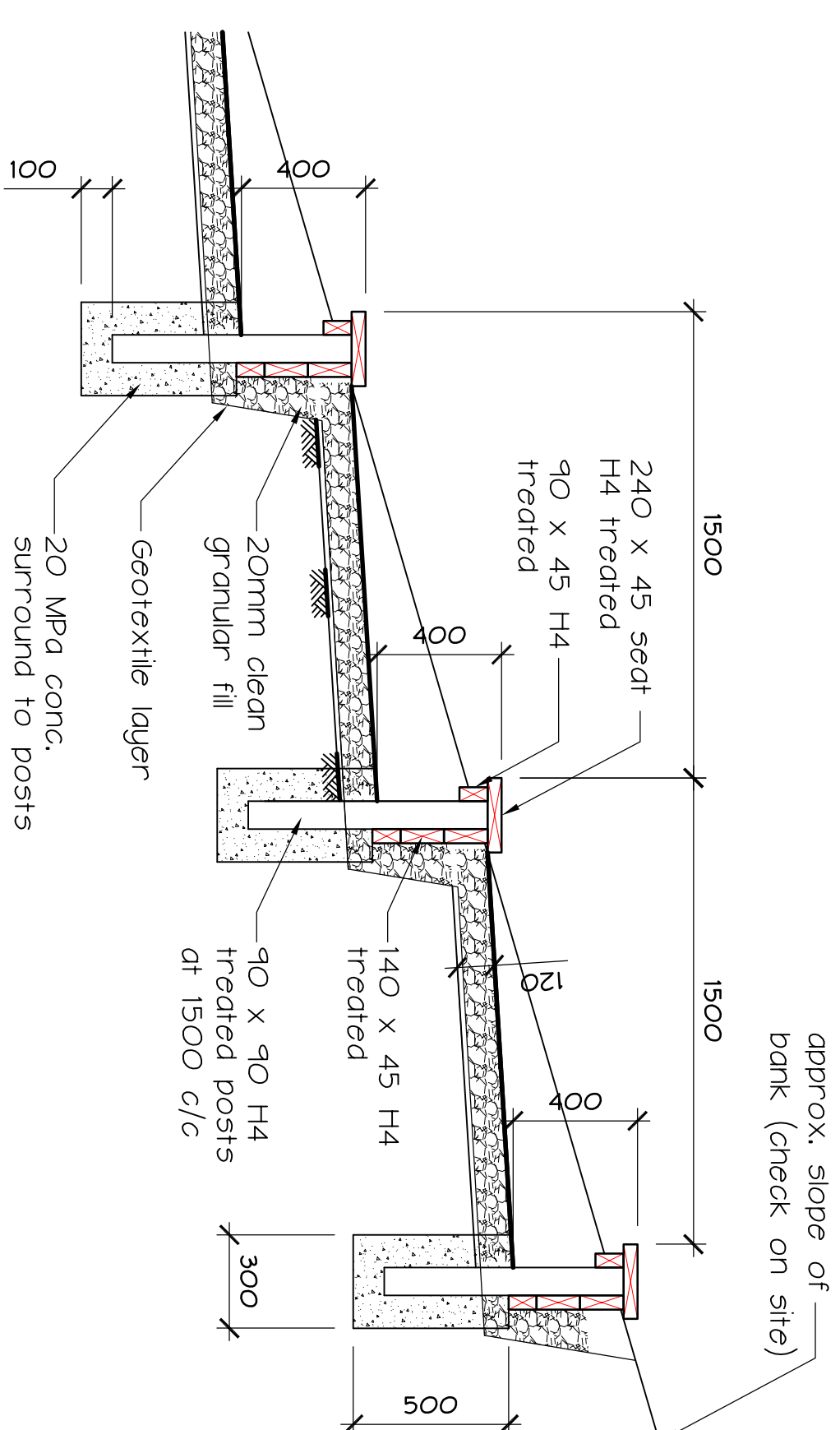
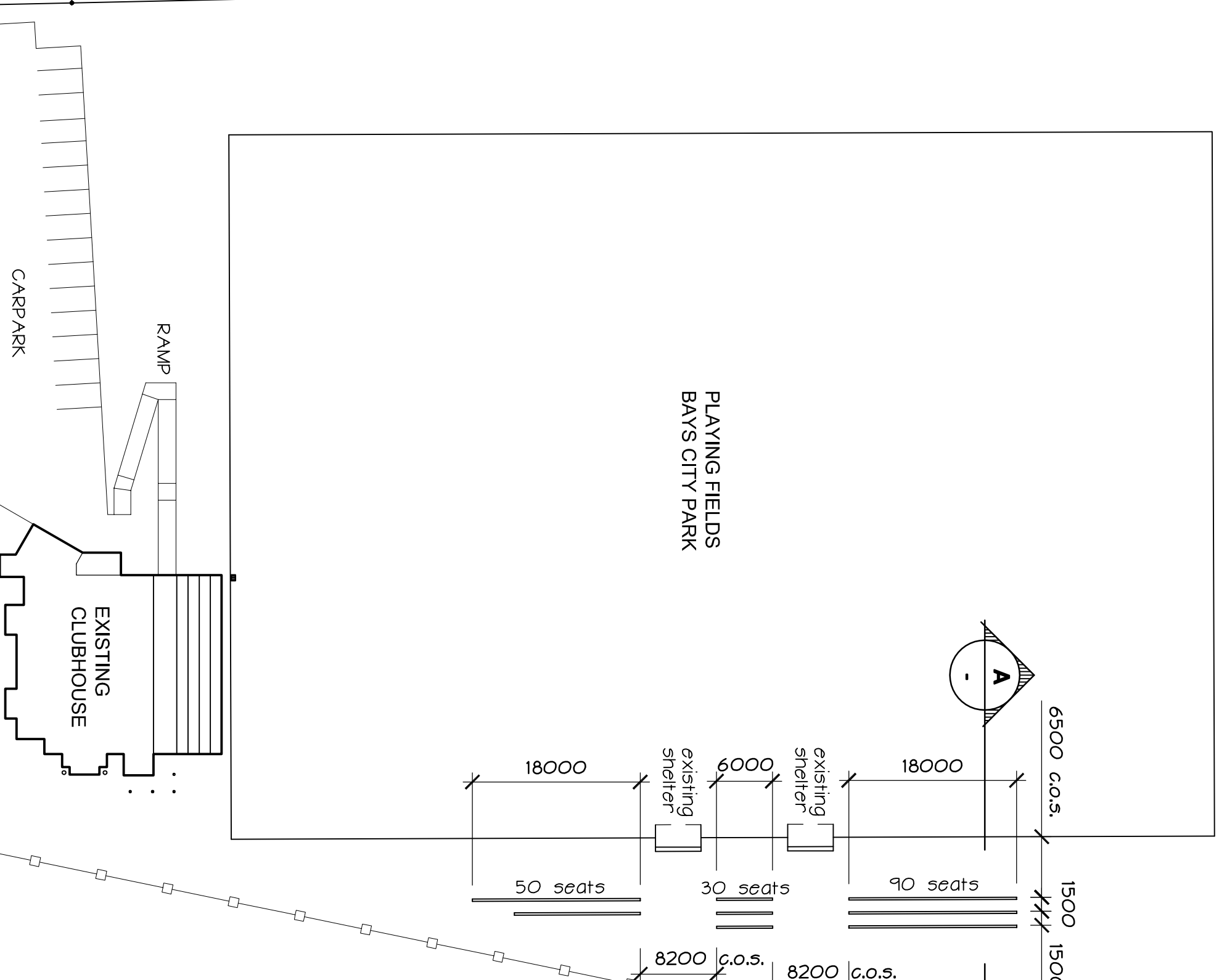
EAST COAST ROAD

ANDERSSONS ROAD

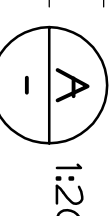
11° 00' 00"

50.28 BD'Y

63.86 BD'Y (est.)  
97° 43' 00"



section



1:20

BAYS CITY PARK

site layout

1:500

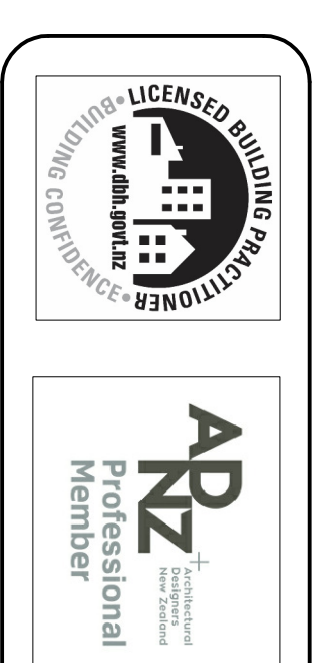
PRELIMINARY

NOTES

1. These drawings & design are copyright and are not to be reproduced without the written consent of the Designer.
2. Do not scale — refer figured dimensions
3. Verify all dimensions & levels on the site prior to commencing work
4. All discrepancies to be referred to design office for clarification

rev.	date	details
0	16/02/17	For Approval

REVISIONS



job title  
FIELD SEATING FOR  
E.C. BAYS SOCCER  
CLUB, ANDERSSONS RD.  
BROWNS BAY

SITE LAYOUT

POOLE & ASSOCIATES  
DESIGN LIMITED  
Architectural Design Consultants  
11e Funnell Ave, Orewa, Auckland 0931,  
P.O. Box 606, Orewa, Auckland 0946, N.Z.  
Tel.: 09-421-1856 Mobile: 027-272-3435  
email address: poole.design@xtra.co.nz

drawn : E.P. date : Feb, 17  
designed : scale : as shown

job number  
**1505B**  
sheet no  
**A-01**  
rev.  
0