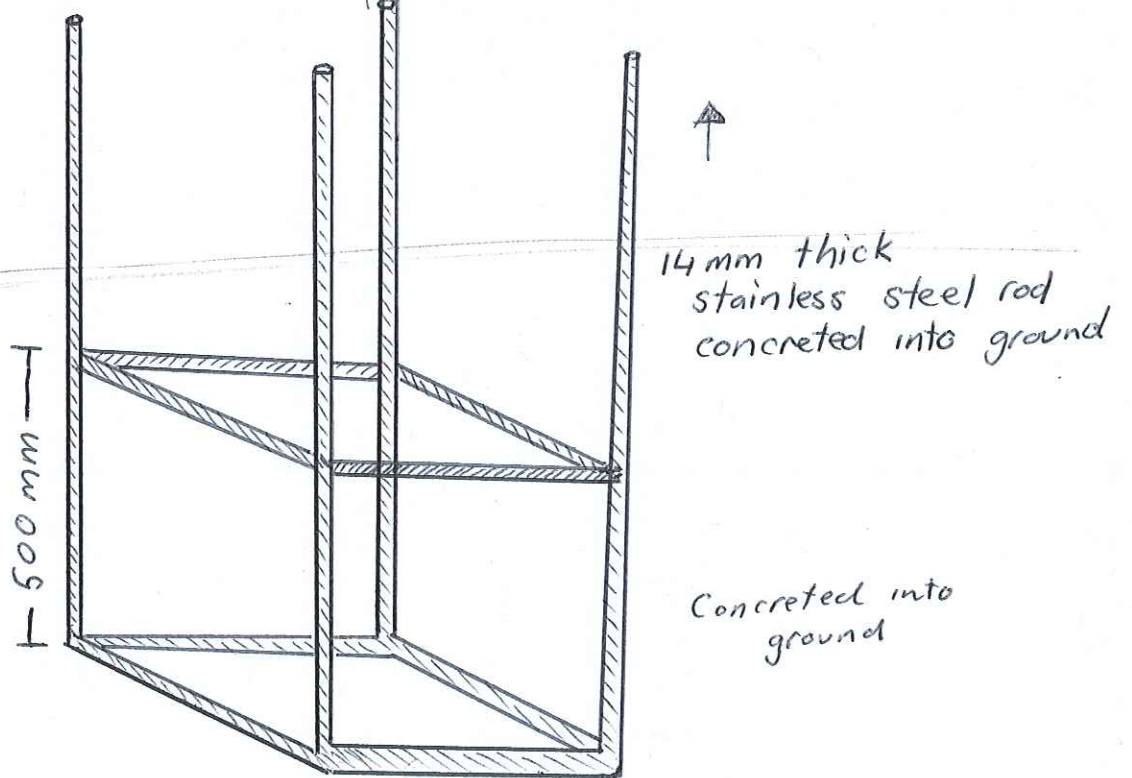
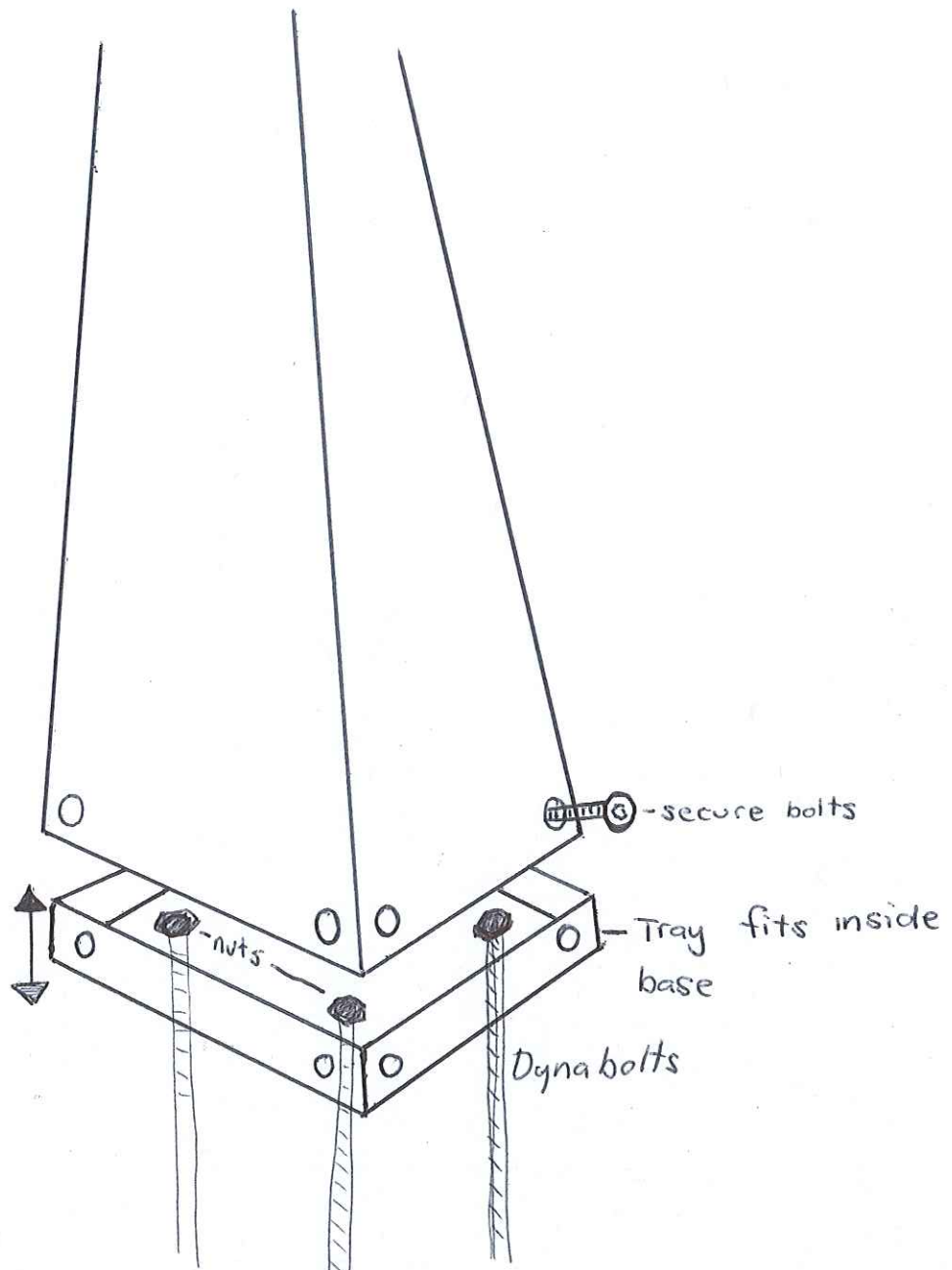


Attachment A – *Heliograph* by Ray Haydon / concept proposal

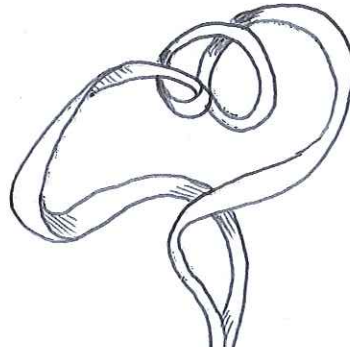




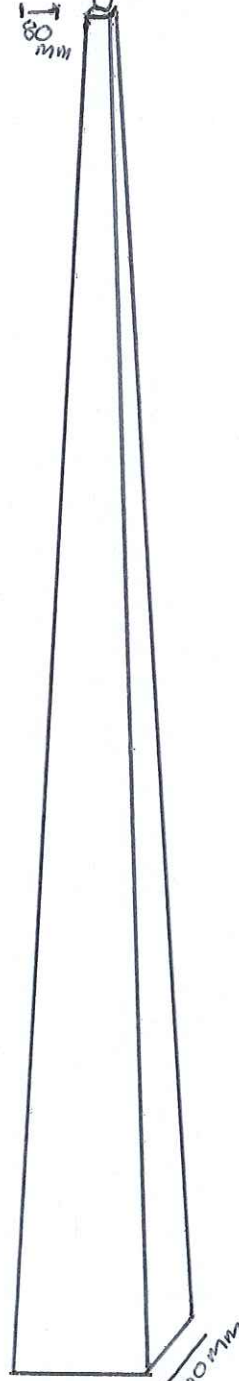
TOP SECTION:  
5mm thick  
Aluminium coated  
with red automotive  
paint

BASE:  
5mm thick  
Marine grade 316  
High tensile  
Stainless steel  
brushed.

1 meter



80 mm



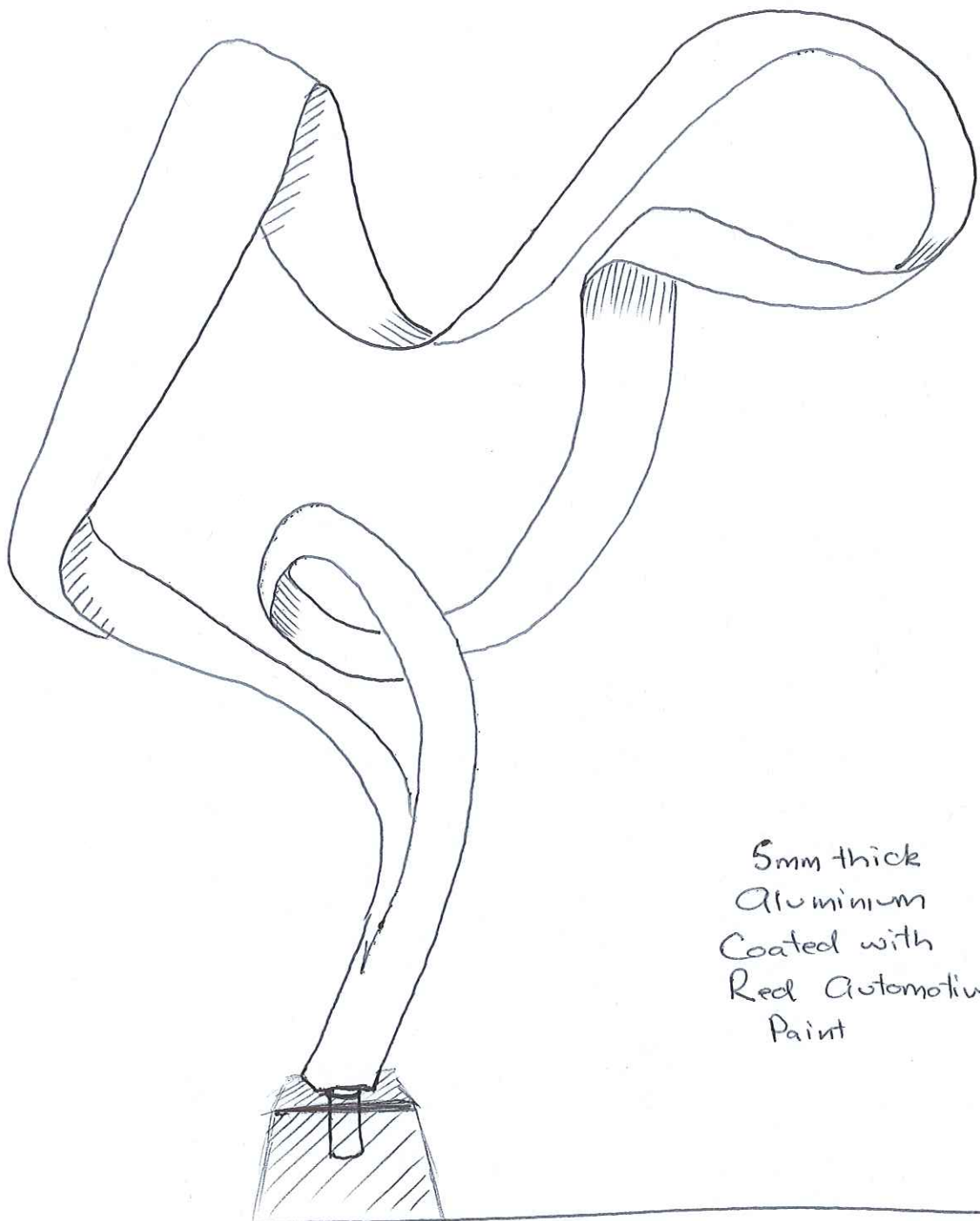
300 mm

300 mm

3 meters

4.2 meters

4.2 meters



1.2m

5mm thick  
Aluminium  
Coated with  
Red Automotive  
Paint

1m



