

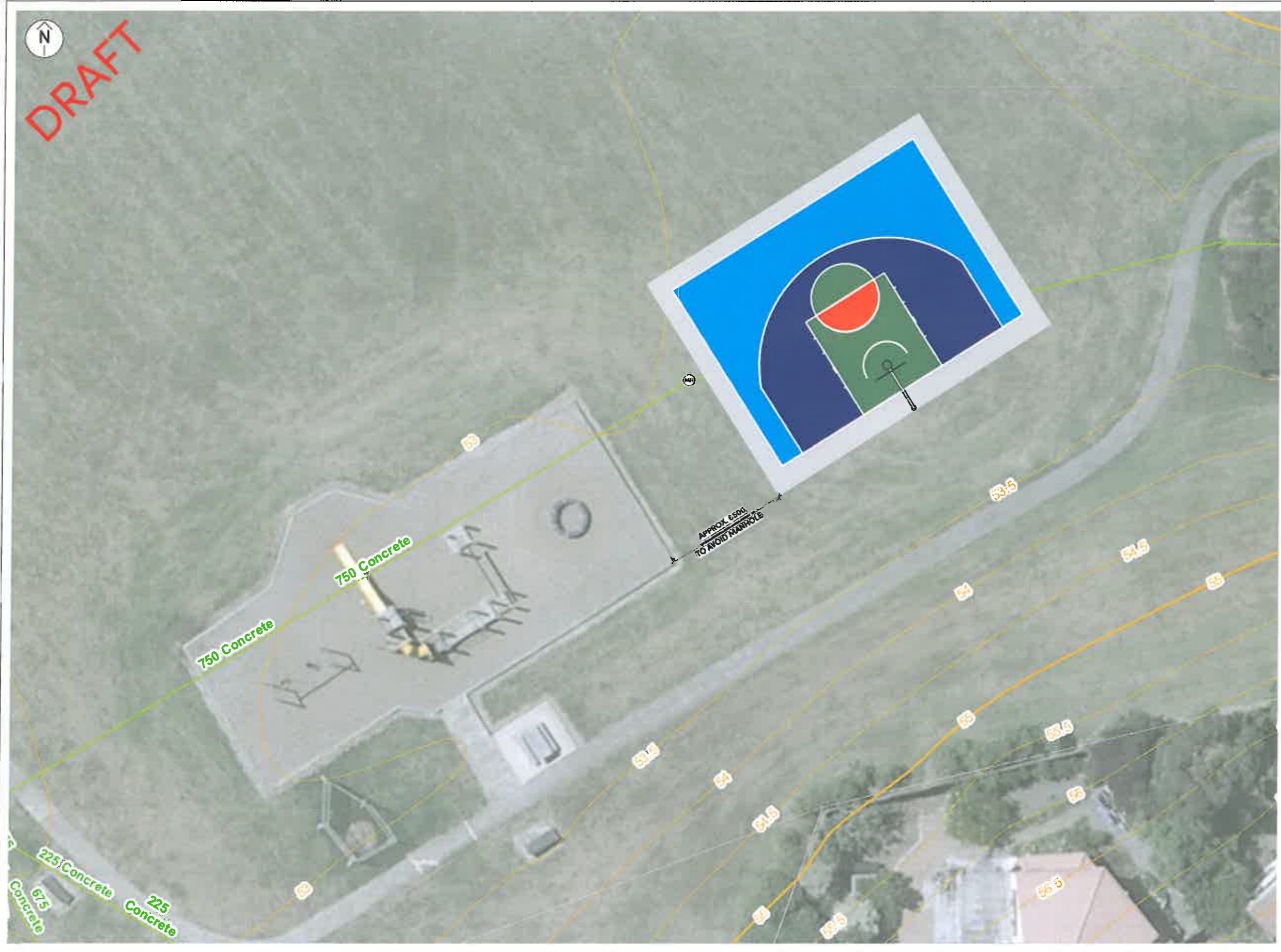
DRAFT



DRAWING	TITLE	REVISION	DATE
01	LOCATION PLAN	-	08 NOVEMBER 2017
02	SLAB SETOUT PLAN & EDGE DETAIL	-	08 NOVEMBER 2017
03	SURFACING SETOUT PLAN	-	08 NOVEMBER 2017
	BASKETBALL TOWER INSTALLATION DETAILS	-	28 APRIL 2017



DRAFT



NOTES

DRAWINGS INDEX

01	LOCATION PLAN
02	SLAB SETOUT PLAN & EDGE DETAIL
03	SURFACING SETOUT PLAN
	BASKETBALL TOWER INSTALLATION DETAILS

GENERAL NOTES
 Do not scale off drawings. The figured dimensions shown are to be used at all times. Contractors shall verify all dimensions and levels on site prior to construction. If clarification is required consult with ParkLife Ltd. Contractors are responsible for confirming the location of all underground services on site prior to commencing work. Contractors are responsible for all materials, workmanship and finishes to be in accordance with the New Zealand Building Code, all relevant New Zealand Standards and all Local Authority Bylaws applicable to the project.

DISCLAIMER
 The information and dimensions set out in these drawings are presented as a means of providing an introduction to the installation of the ParkLife Ltd product detailed. These drawings are not provided with the intention of giving a comprehensive understanding of the way in which the ParkLife Ltd product detailed in these drawings is installed/maintained nor its suitability for use in any particular environment or circumstance. ParkLife Ltd shall not be liable for any loss or damage (direct or indirect) arising from the use of these drawings. ParkLife Ltd accepts no responsibility for installation/maintenance by others.

COPYRIGHT
 The Design, Drawings and Specification shown cannot be reproduced, altered or stored without the consent of ParkLife Ltd. The Design, Drawings and Specification and the copyright therein are the property of ParkLife Ltd.

CONTACT
 0208 245 888 enquiries@parklife.co.nz parklife.co.nz

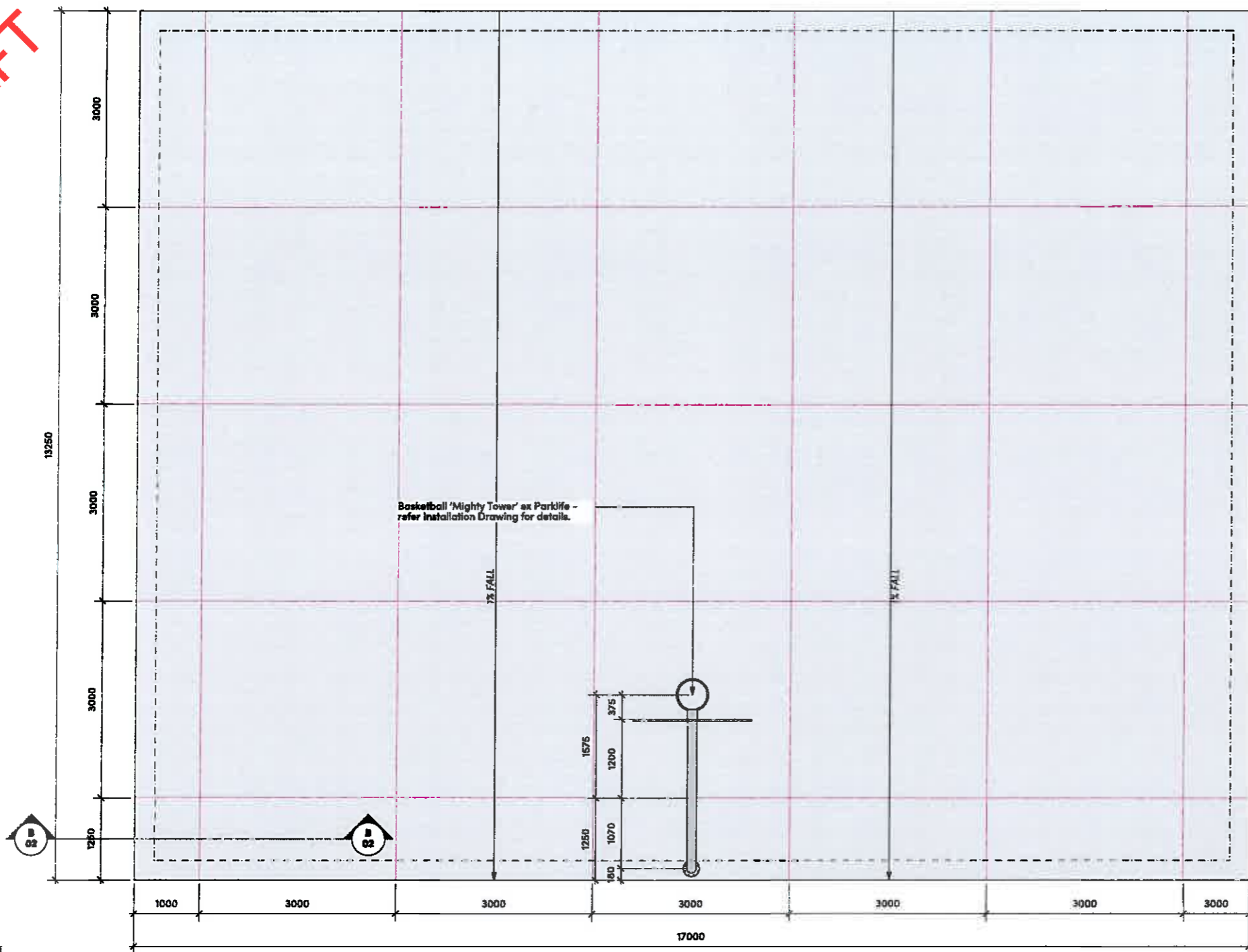
PROJECT NO	1018
ISSUED FOR	REVIEW
REVISION	-
DATE	08 NOVEMBER 2017
SCALE	1:100 A1 1:200 A3

01_LOCATION PLAN

UNSWORTH RESERVE_BASKETBALL HALF COURT_FIBA OPTION



DRAFT



A PLAN
1:75 AS

Make-good edges to court and surrounding levels with existing stockpiled topsoil and grass-seed.



BB TYPICAL EDGE DETAIL
1:20 AS

SLAB DETAILS

SUB GRADE
Following stripping of area, in situ ground to be sighted and tested (via Penetrometer Testing min. 200KPa) by Engineer before placing hardfill.

BASECOURSE
2 x 100mm depth layers of compacted AP40. Tested pre-pour (via Clegg Hammer Testing min. C.I.V. 25) by Engineer to confirm approval to proceed.

REINFORCING MESH
Grade 500E SEG2 centrally placed. All mesh to be placed on chairs, pulling up of steel during pour will not be accepted.

FALLS
1% as shown on setout plan.

CONCRETE THICKNESS
125mm.

CONCRETE STRENGTH
Minimum concrete strength at 28 days to be 25MPa. Grade 18mm maximum / 13mm min. aggregate pump mix. Continuous pour with vibrator, care to be taken not to bring fines to the surface.

CONCRETE SURFACE FINISH
Finish to U2 then Roller Sponge Finish.

PLASTIC SHRINKAGE CRACKING AVOIDANCE
Contractor to ensure concrete does not dry too quickly, resulting in plastic shrinkage cracking. Contractor shall cure the concrete for 7 days min. Curing process is for the Contractor to decide, however, options recommended are:

- Option 1: Use a curing compound suitable for proposed sports surface system to be applied on top.
- Option 2: Cure with Hessian sacking and watering (possible to include waterproof sheets on top).

SAWCUTTING & GROUTING (3 x 3m GRID)
3mm wide x 40mm depth sawcut. Ensure mesh is not cut during sawcutting. Grout flush with Steintec 'Tuffgroul' colour Natural Grey.

DRAWINGS INDEX

- 01 LOCATION PLAN
- 02 SLAB SETOUT PLAN & EDGE DETAIL
- 03 SURFACING SETOUT PLAN
- BASKETBALL TOWER INSTALLATION DETAILS

GENERAL NOTES
Do not scale off drawings. The figured dimensions shown are to be used at all times. Contractors shall verify all dimensions and levels on site prior to construction. If clarification is required consult with ParkLife Ltd. Contractors are responsible for confirming the location of all underground services on site prior to commencing work. Contractors are responsible for all materials, workmanship and fixtures to be in accordance with the New Zealand Building Code, all relevant New Zealand Standards and all Local Authority Bylaws applicable to the project.

DISCLAIMER
The information and dimensions set out in these drawings are presented as a means of providing an introduction to the installation of the ParkLife Ltd product detailed. These drawings are not provided with the intention of giving a comprehensive understanding of the way in which the ParkLife Ltd product detailed in these drawings is installed/maintained nor its suitability for use in any particular environment or circumstances. ParkLife Ltd shall not be liable for any loss or damage (direct or indirect) arising from the use of these drawings. ParkLife Ltd accepts no responsibility for installation/maintenance by others.

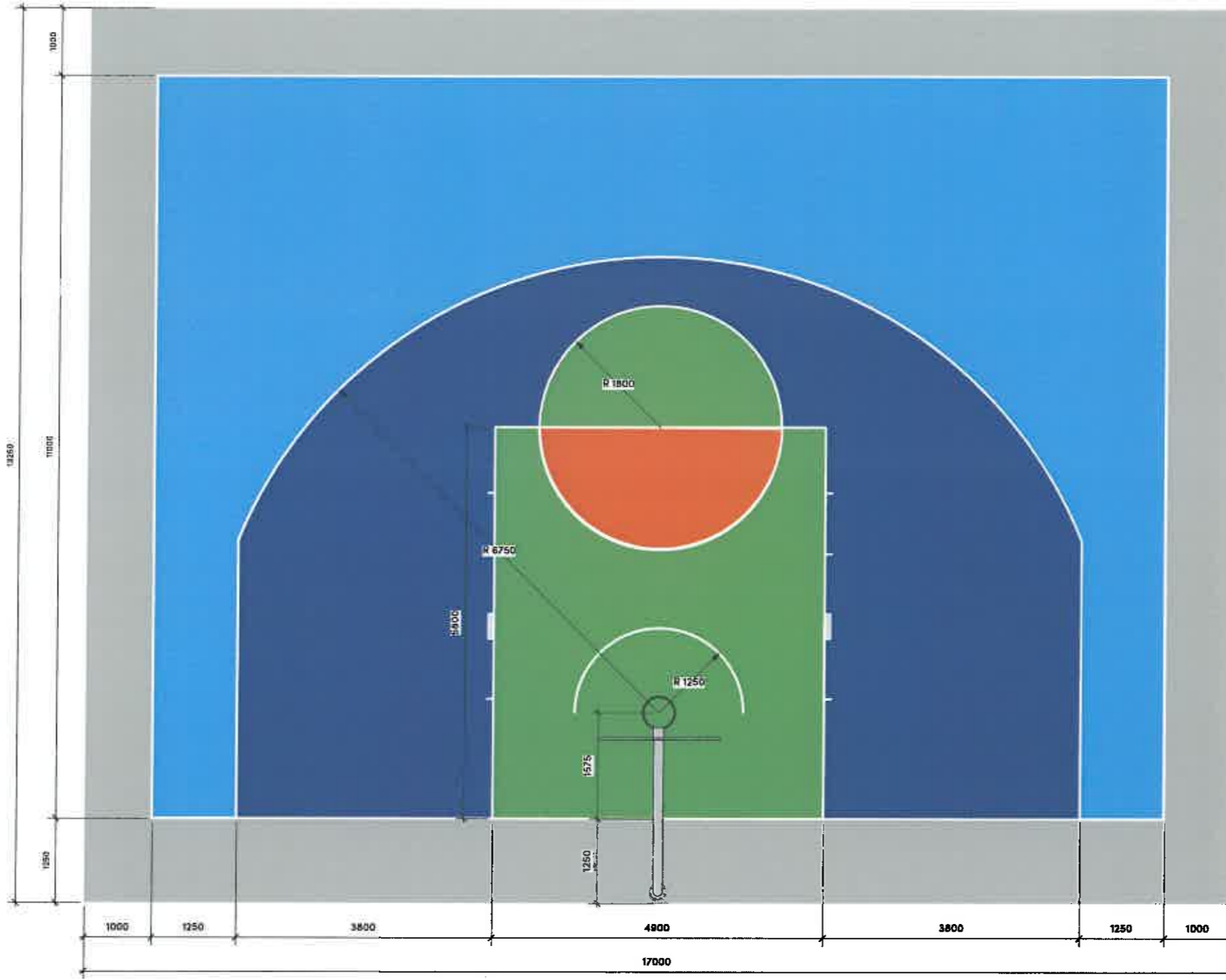
COPYRIGHT
The Design, Drawings and Specification shown cannot be reproduced, altered or amended without the consent of ParkLife Ltd. The Design, Drawings and Specification and the copyright therein are the property of ParkLife Ltd.

CONTACT
0206 348 889 customers@parklife.co.nz parklife.co.nz

PROJECT NO 1018
ISSUED FOR REVIEW
REVISION
DATE 08 NOVEMBER 2017
SCALE AS SHOWN



DRAFT



C PLAN 1:75 A3

SURFACE SYSTEM ex ParkLife

- Court Sol Standing - colour 'Grey'.
- Court Sol Standing - colour 'Dark Blue'.
- Court Sol Standing - colour 'Light Blue'.
- Court Sol Standing - colour 'Light Green'.
- Court Sol Standing - colour 'Brick'.
- Court Sol Linemarking - colour 'White'.

DRAWINGS INDEX

01	LOCATION PLAN
02	SLAB SETOUT PLAN & EDGE DETAIL
03	SURFACING SETOUT PLAN
	BASKETBALL TOWER INSTALLATION DETAILS

GENERAL NOTES
 Do not scale off drawings. The figured dimensions shown are to be used as all lines. Contractors shall verify all dimensions and levels on site prior to construction. If clarification is required consult with ParkLife Ltd. Contractors are responsible for confirming the location of all underground services on site prior to commencing work. Contractors are responsible for all materials, workmanship and finishing to be in accordance with the New Zealand Building Code, all relevant New Zealand Standards and all Local Authority Bylaws applicable to this project.

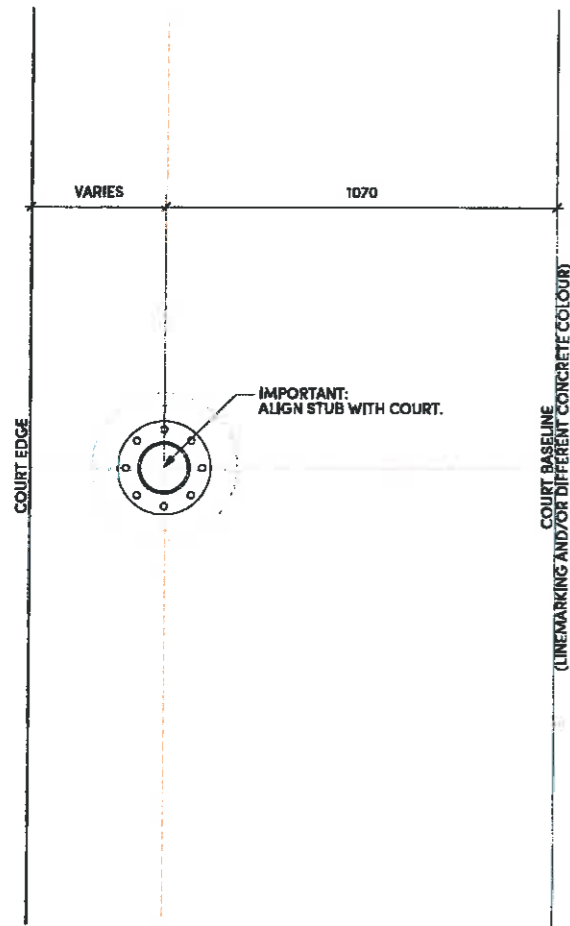
DISCLAIMER
 The information and dimensions set out in these drawings are presented as a means of providing an introduction to the installation of the ParkLife Ltd product detailed. These drawings are not provided with the intention of giving a comprehensive understanding of the way in which the ParkLife Ltd product detailed in these drawings is installed/maintained nor its suitability for use in any particular environment or circumstances. ParkLife Ltd shall not be liable for any loss or damage (direct or indirect) arising from the use of these drawings. ParkLife Ltd accepts no responsibility for installation/maintenance by others.

COPYRIGHT
 The Design, Drawings and Specification shown cannot be reproduced, altered or amended without the consent of ParkLife Ltd. The Design, Drawings and Specification and the copyright therein are the property of ParkLife Ltd.

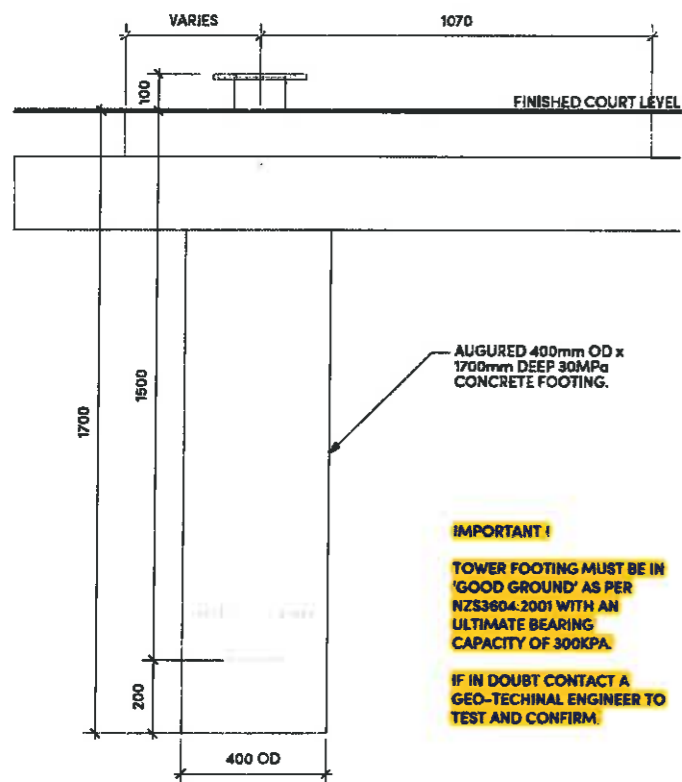
CONTACT
 0200 548 800 customers@parklife.co.nz parklife.co.nz

PROJECT NO	1018
ISSUED FOR	REVIEW
REVISION	-
DATE	06 NOVEMBER 2017
SCALE	1:100 A1 1:200 A3

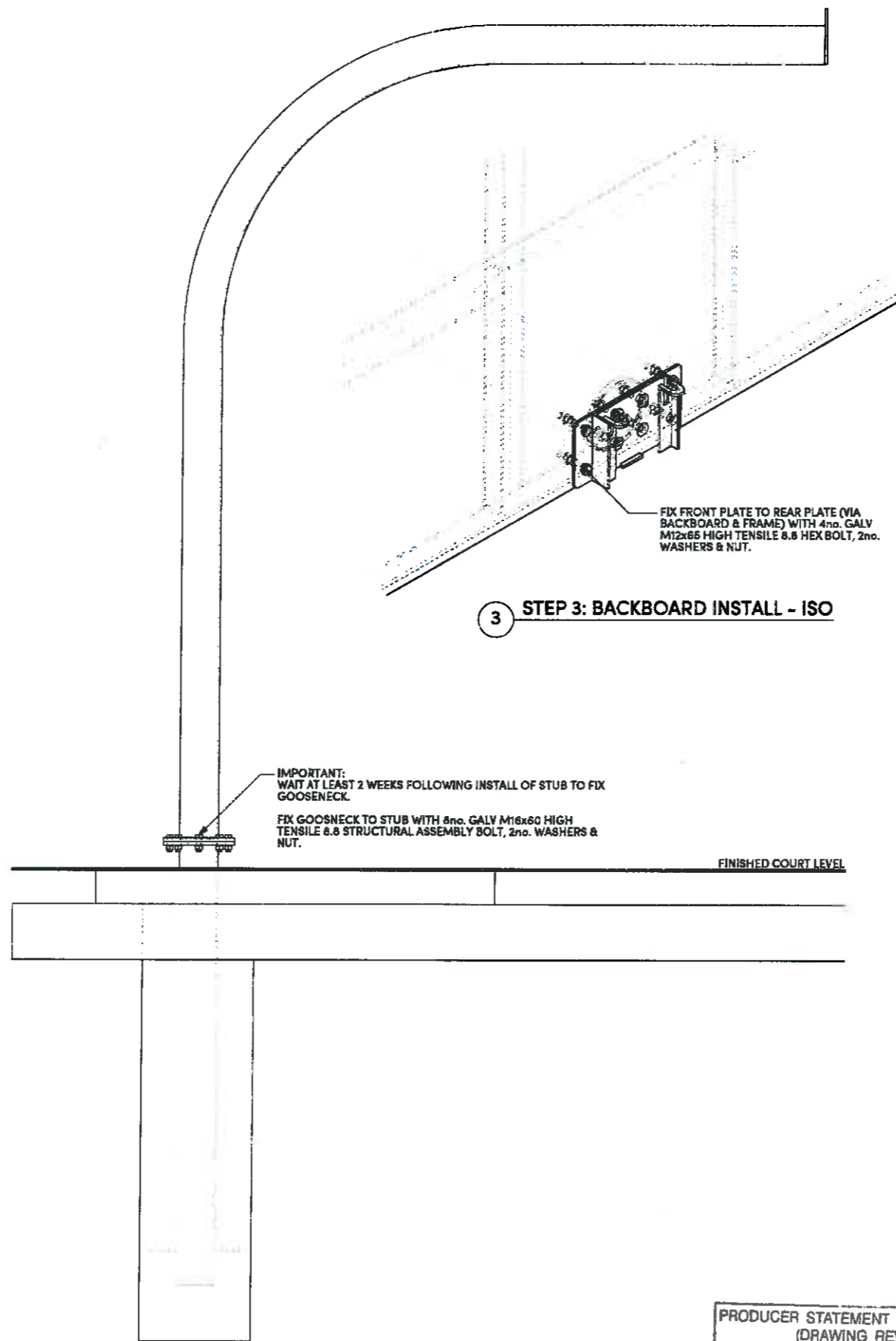




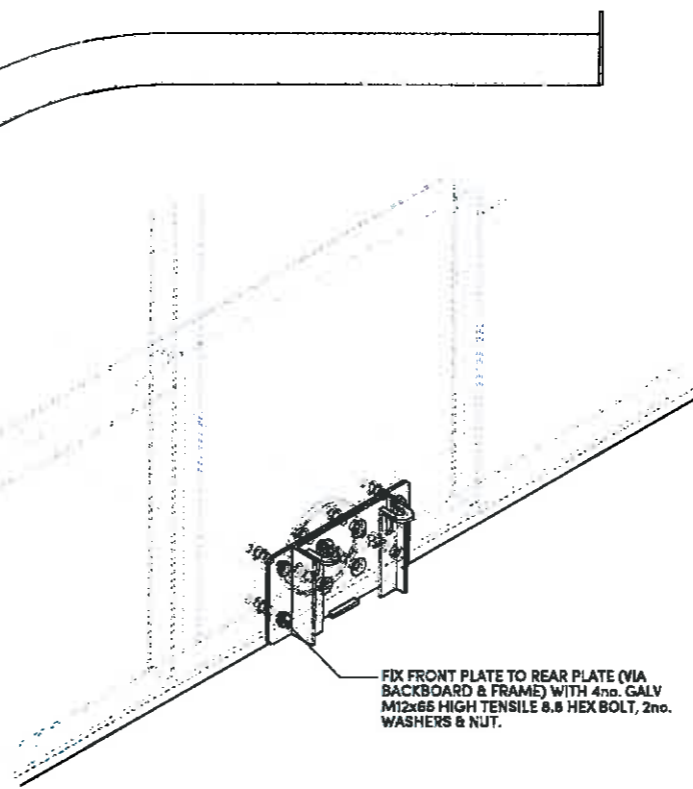
1a STEP 1a: STUB INSTALL - PLAN



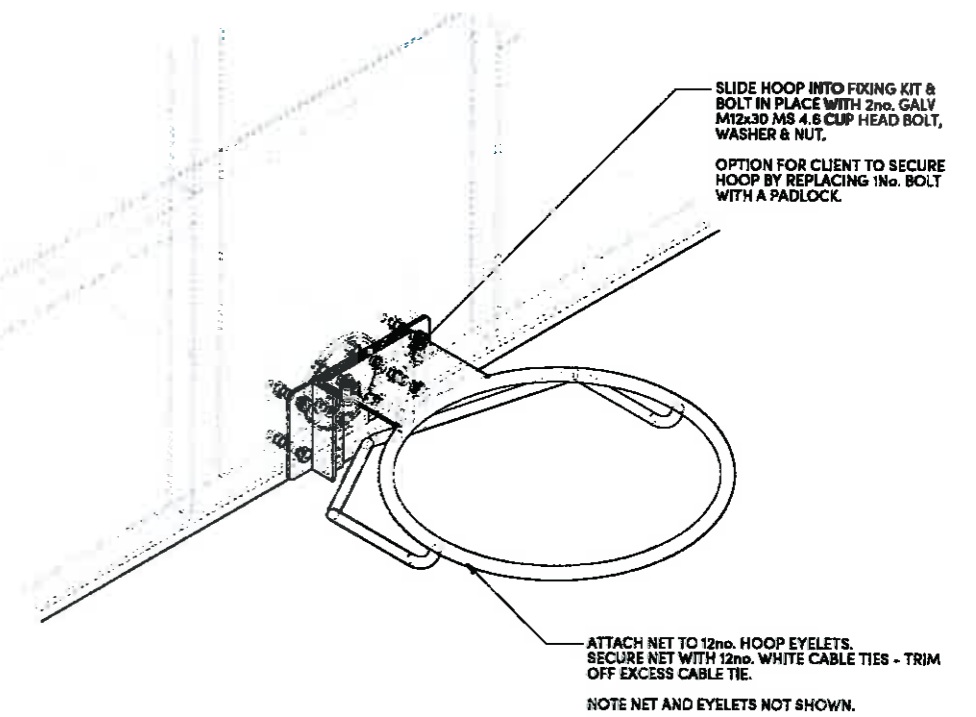
1b STEP 1b: STUB INSTALL - ELEVATION



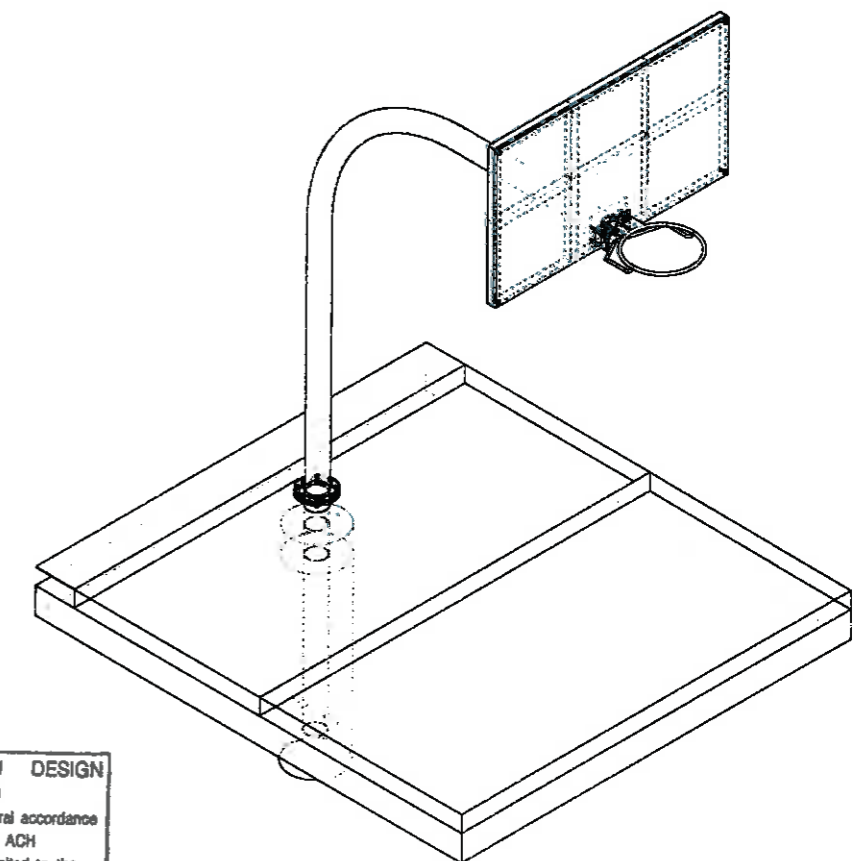
2 STEP 2: GOOSENECK INSTALL - ELEVATION



3 STEP 3: BACKBOARD INSTALL - ISO



4 STEP 4: HOOP INSTALL - ISO



5 FULLY INSTALLED - ISO

PRODUCER STATEMENT PS1 DESIGN
(DRAWING REVIEW)
This certifies that this drawing is in general accordance with engineering calculations prepared by ACH Consulting Limited. This certification is limited to the specific elements covered by the attached PS1 and calculations reference number: 22-172
Dated: 22/04/17 Signed: [Signature]

BASKETBALL TOWER_INSTALLATION DRAWING

