

# Event Proposal

## Armistice Day Memorial Field 2018

<b>Name of activity:</b>	Armistice Memorial Field 2018
<b>Organiser:</b>	Graham Gibson (Fields of Remembrance Trust)
<b>Phone:</b>	0211087519
<b>E-mail:</b>	gngkiwinz@gmail.com

### EVENT SUMMARY

The organiser would like to commemorate the WW1 fallen by establishing an Armistice Memorial Field and light box walk

The organiser would like to display approximately **18,277** white crosses, representing the sacrifice made by New Zealand servicemen and women during the First World War. And **32 light boxes** which would tell different stories of the war.

**\*Please note** that as of 2 May 2018, Auckland Council's Event Facilitation Central team has only been provided an overview of the intended activities. The organiser has not provided any operational information. So the below is as much as we currently know.

Start date	TBC	Set up date	10/10/2018
End date	TBC	Pack down date	15/11/2018
Venue	Auckland Domain, in front of the north side of the Auckland War Memorial Museum & in the area by the band rotunda		
Number of participants (approx.)	Unknown – could be up 80,000 across the duration		

# SITE DETAIL



**KEY:**

100 crosses - 1914-15	100 crosses - 1917	100 crosses Brothers	Lighting Cable	32 Lightbox's	Lighting Cable	Road Crossing Power cable	Portaloo x 2
100 crosses - 1916	100 crosses - 1918	Info Centre 20ft Container	Diesel Power Gen (Silent)	Tree Lighting	Diesel Power Gen (Silent)	WW1 Memorial Pathway	

## Night Visual

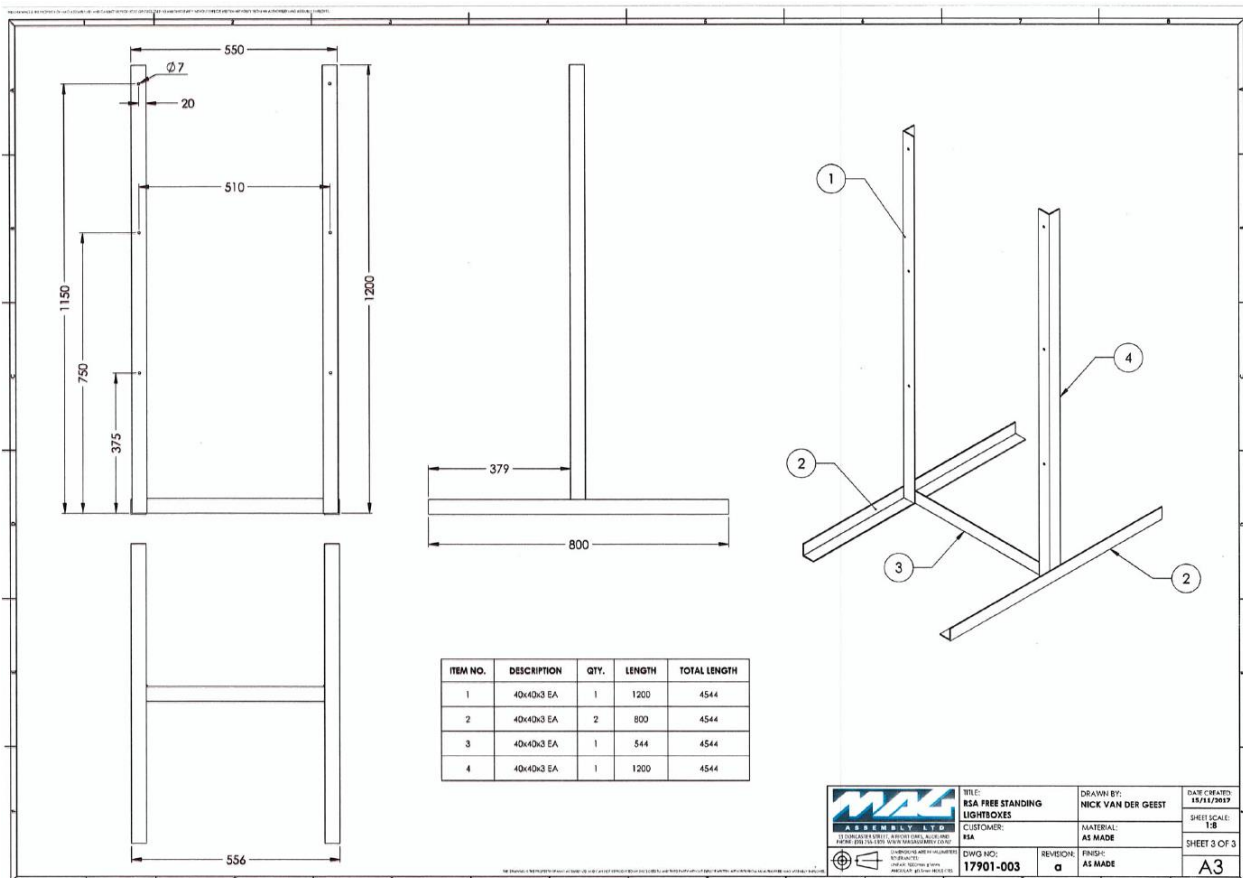


**Light Boxes:**

# Light Box Visual

## WW1 Armistice Memorial Walkway

32 Backlite Story Boards



	TITLE: <b>SEA FREE STANDING LIGHTBOXES</b> CUSTOMER: <b>RSA</b>	DRAWN BY: <b>NICK VAN DER GEEST</b> MATERIAL: <b>AS MADE</b>	DATE CREATED: <b>18/11/2017</b> SHEET SCALE: <b>1:8</b>
	DWG NO: <b>17901-003</b> REVISION: <b>a</b>	FINISH: <b>AS MADE</b>	SHEET 3 OF 3 <b>A3</b>



## TRAFFIC MANAGEMENT

TBC.

## EVENT OPERATIONS

<b>Pack in / Pack out:</b>	Vehicle access required for pack in and pack out
<b>Vehicle access:</b>	TBC
<b>Noise / Amplified Sound:</b>	TBC
<b>Ground protection:</b>	CF to advise
<b>Waste management:</b>	Waste Management for the attendees will be requested
<b>Food stalls / Catering / BBQs:</b>	TBC
<b>Alcohol:</b>	Supplied: No Sold: No
<b>Trading:</b>	TBC
<b>Resource Consent:</b>	<ol style="list-style-type: none"> <li>1. The event organiser has been advised that Resource Consent is required due to the scale and duration of the crosses and light boxes on site.</li> <li>2. The event organiser has been in contact with the Resource Consent team directly</li> </ol>
<b>On site Operations:</b>	Fireworks: No Drone: No

## FACILITIES/UTILITIES

<b>Portaloos/Toilets:</b>	Existing Toilets Access: No Portaloos Provided: TBC
<b>Structures:</b>	<b>Other:</b> Approximately 18,277 white crosses 32 Light Boxes

<b>Building Consent:</b>	NA
<b>Signage:</b>	NA
<b>Lighting:</b>	Yes – lighting up the trees around the perimeter of the field of remembrance and the light box path
<b>Electricity / Gas/ Power / Generator:</b>	Power Access: TBC Generators: TBC

## HEALTH AND SAFETY

<b>Health and Safety plan:</b>	Health and Safety documentation to be provided.
<b>Security:</b>	NA
<b>Public Liability Insurance:</b>	Policy to be received.

## EVENT COMMUNICATIONS

<b>Local notification:</b>	Local Board notification sent
<ul style="list-style-type: none"> <li>• Event letter drop</li> </ul>	Auckland Domain Committee approval to be requested.

<ul style="list-style-type: none"><li>• Advisory signage/mechanisms</li><li>• Public notices</li></ul>	
<b>Promotion:</b> <ul style="list-style-type: none"><li>• Advertising channels</li><li>• Sponsorship/funding</li></ul>	General advertising channels
<b>On the day contacts:</b> <ul style="list-style-type: none"><li>• Event Information (Website)</li><li>• Event Organiser</li><li>• Traffic Management</li><li>• OSOC/MEOC</li><li>• Facilitator</li></ul>	Contact on The Day: Graham Gibson Mobile: 0211087519

---